

### Sharpening Station

Dry grinder with Oneway Wolverine and VariGrind jigs



### Wheel Dresser

Make wheel flat and parallel to grinder axis





Doug Thompson  
[www.thompsonlathetools.com](http://www.thompsonlathetools.com)

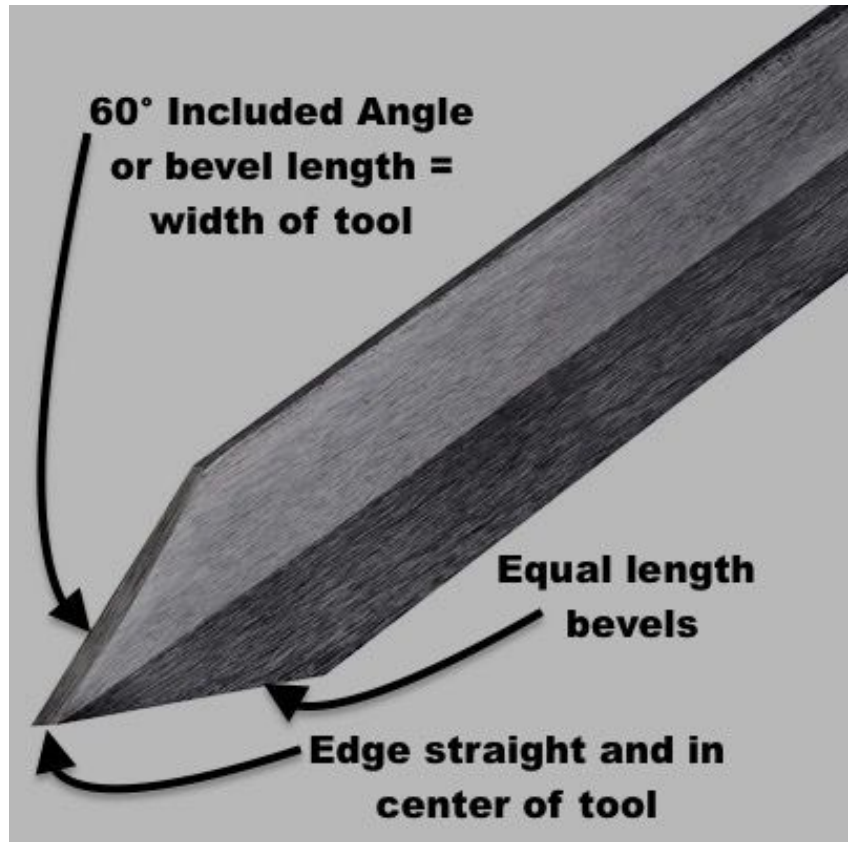
**VariGrind Fingernail Jig and Leg Angle Setting**

(Use the same setting for both the spindle and bowl gouge. Lock it down.)

### Parting Tool

(1" x 3/16" diamond)

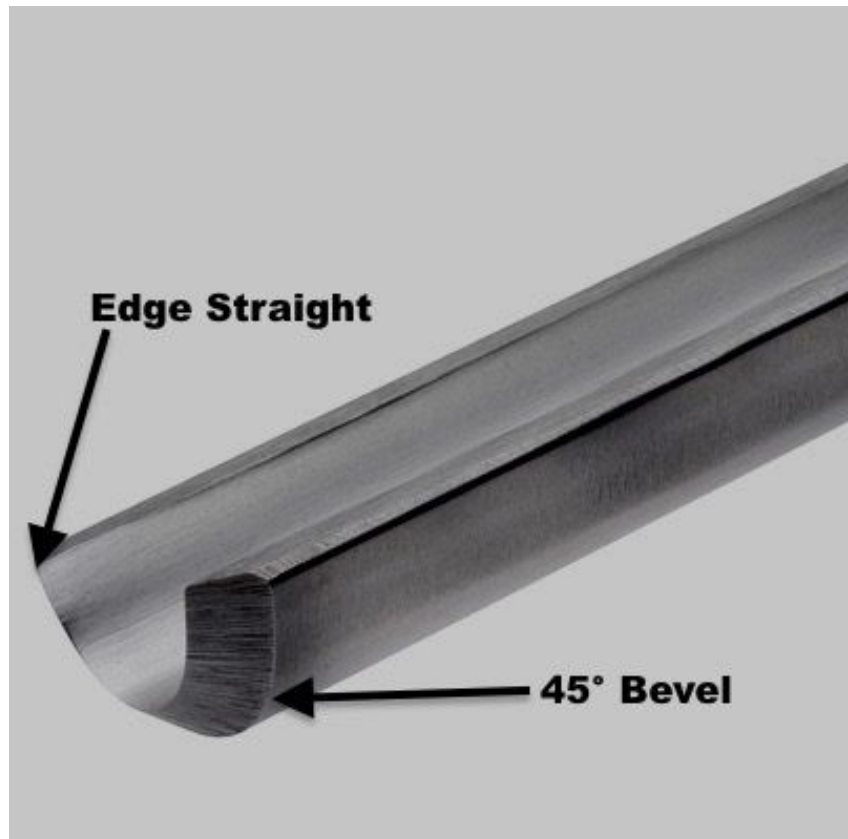
Sharpen free hand with finger resting on Wolverine platform. Heel first, then tilt till sparks come over edge,



### Roughing Gouge

(1")

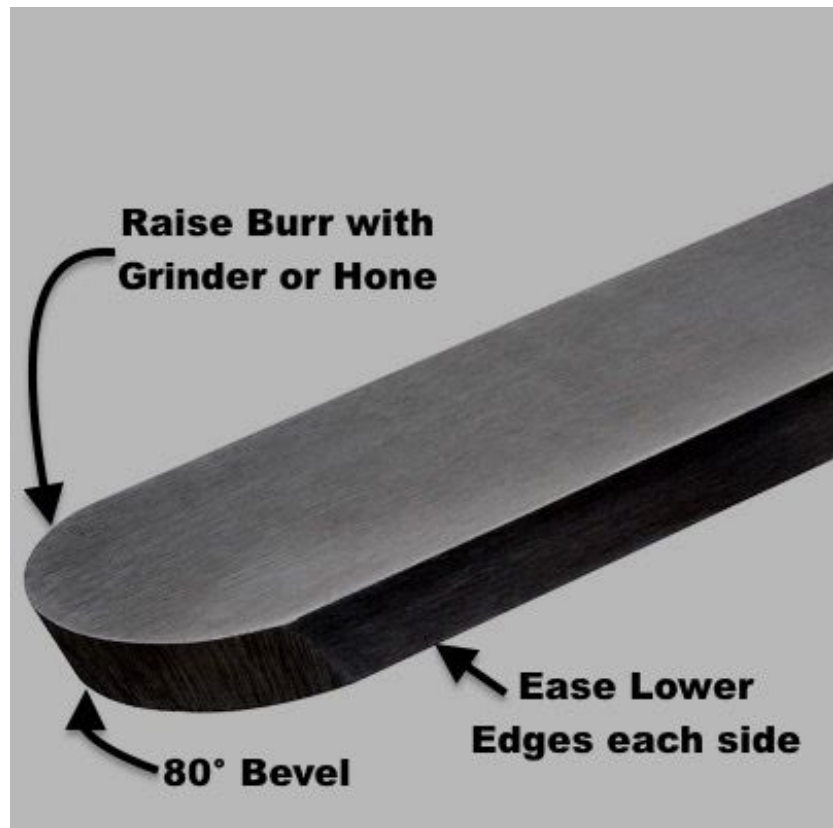
Sharpen on Wolverine platform.



**Scraper**

(1" dome shape)

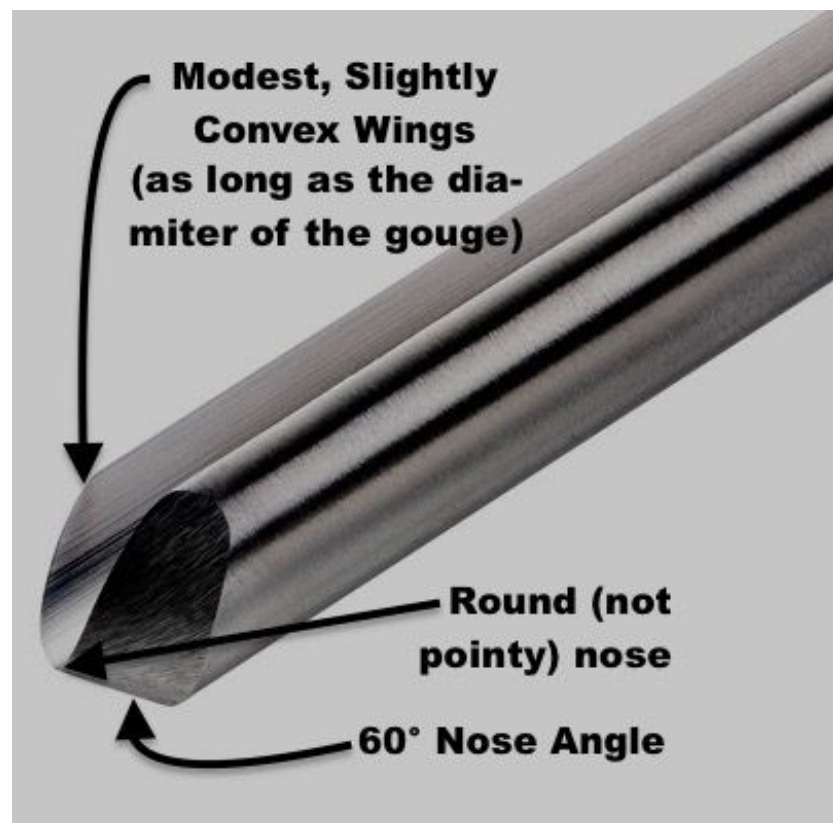
Sharpen on Wolverine platform



**Bowl Gouge**

( $\frac{3}{8}$ " -  $\frac{1}{2}$ " )

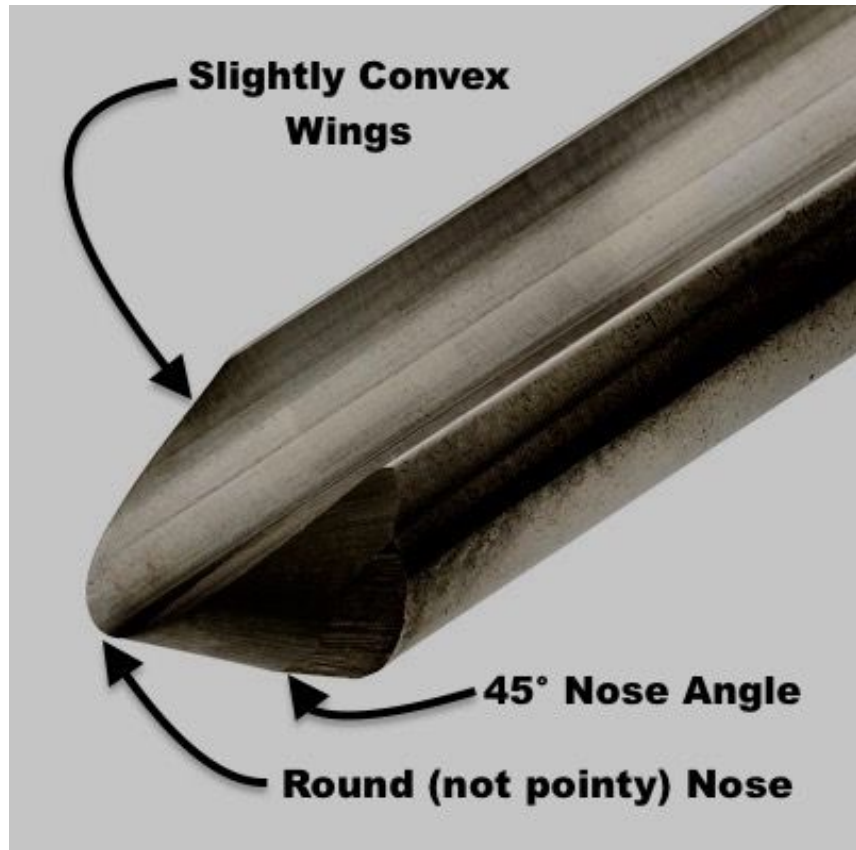
Sharpen with VariGrind jig



**Spindle Gouge**

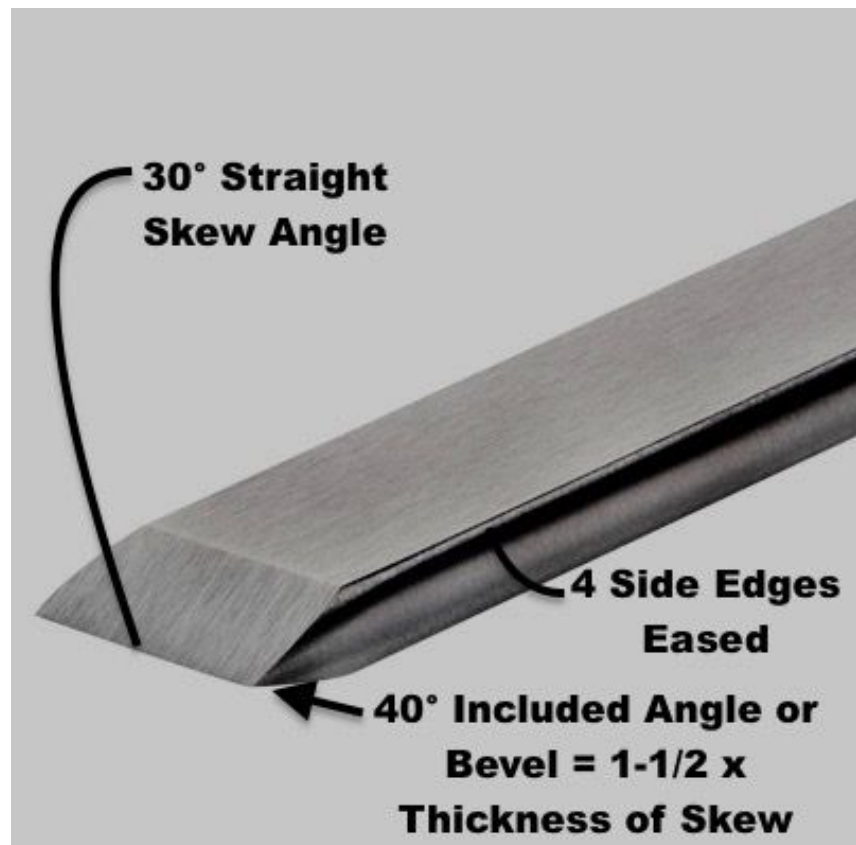
( $\frac{3}{8}$ " -  $\frac{1}{2}$ " )

Sharpen with  
VariGrind jig



**Skew Chisel (1")**

Sharpen on Wolverine  
platform





**Sharpening Station Shopping List**

\$102	<p><u>8" - 3725 rpm Grinder Wen 4286 (Home Depot)</u>                  Rikon 80-805 (Rockler, Woodcraft on sale) <b>Buy with a local return option!</b></p>
81	<u>Oneway Wolverine Jig #2291</u>
32	<u>Oneway Original VariGrind #2480</u> Hartville Tool w/Club 15% Discount
	<u>Angle Gauge General Tools #17</u> (Lowe's, Home Depot)
10	<u>Diamond sharpening stone 2x6, 600/400</u> double sided (Amazon)
13	
9	<p><u>Wheel Dresser</u> No great inexpensive choices. Powertech 71003                  Diamond Grinding Wheel Dresser (Amazon, Home Depot \$9) may last a                  couple years. Best woodturnerscatalog.com lifetime dresser \$41 +                  shipping.</p>
\$238	<p><u>Odds and ends:</u> Sharpie, small wire brush,                  small amount of paint remover, bench, stand, storage, good light, magnet,                  shop made small auxiliary table for small tools.</p>